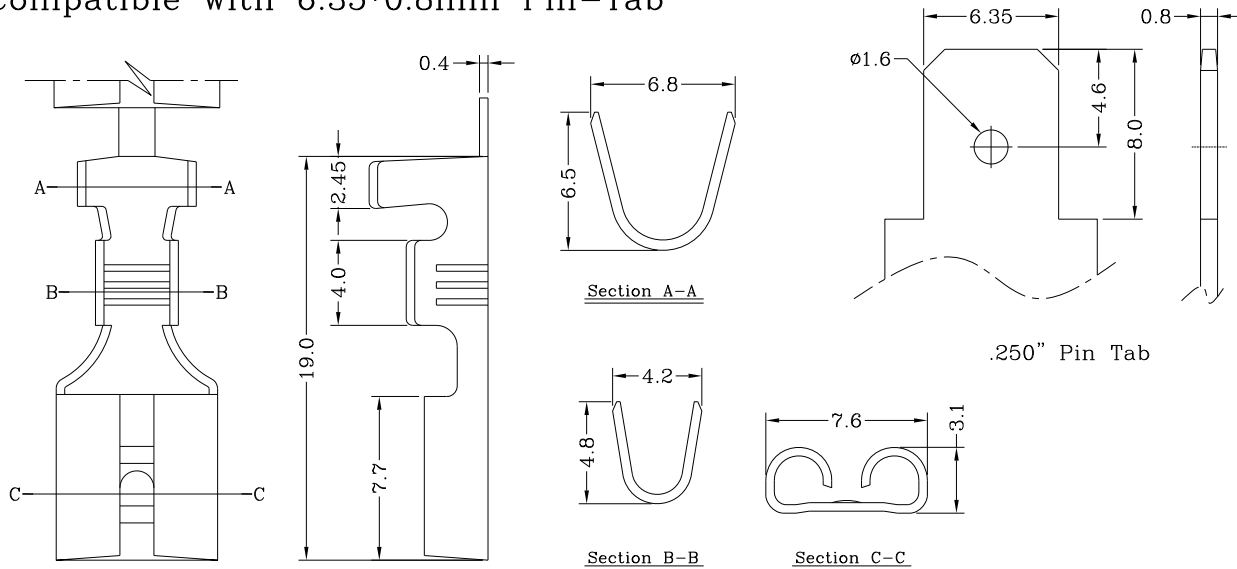




T2502 Series .250" Tab-On terminal

Features:

* Compatible with 6.35*0.8mm^t Pin-Tab



Specifications & Ordering Information:

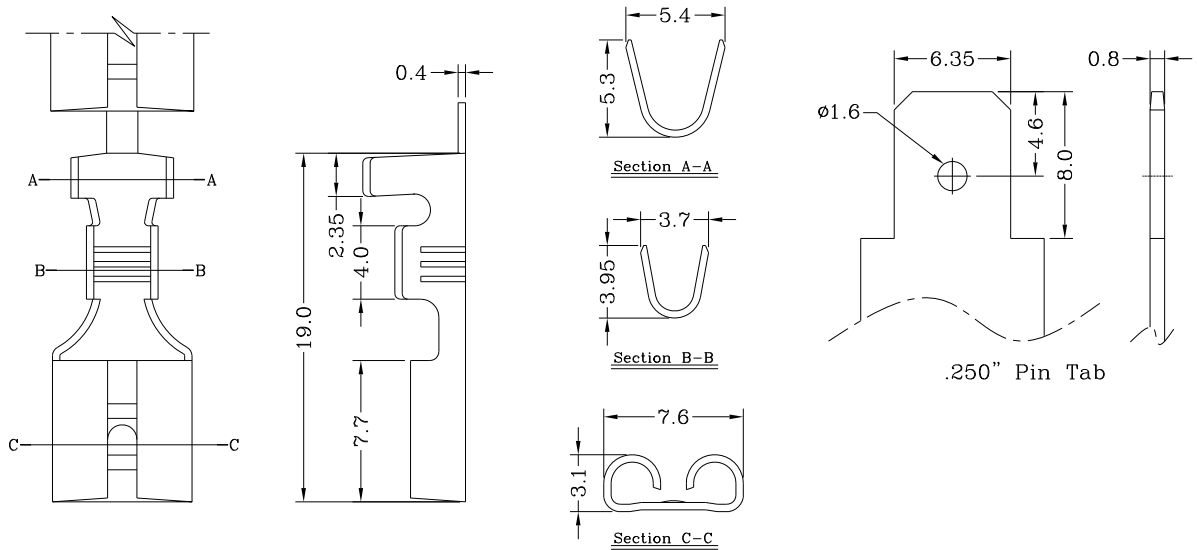
| Part No | Wire Range | Insulation O.D. | Material | Finish | Qty/reel |
|-------------|-------------|-----------------|----------|------------------|-----------|
| T2502T2B-2e | AWG #10~#12 | 5.10mm (max) | Brass | Tin-plated | 5,000 PCS |
| T2502T2B-5e | AWG #10~#12 | 5.10mm (max) | Brass | Matte Tin-plated | 5,000 PCS |

T2502 Series .250" Tab-On terminal



Features:

* Compatible with 6.35*0.8mm^t Pin-Tab



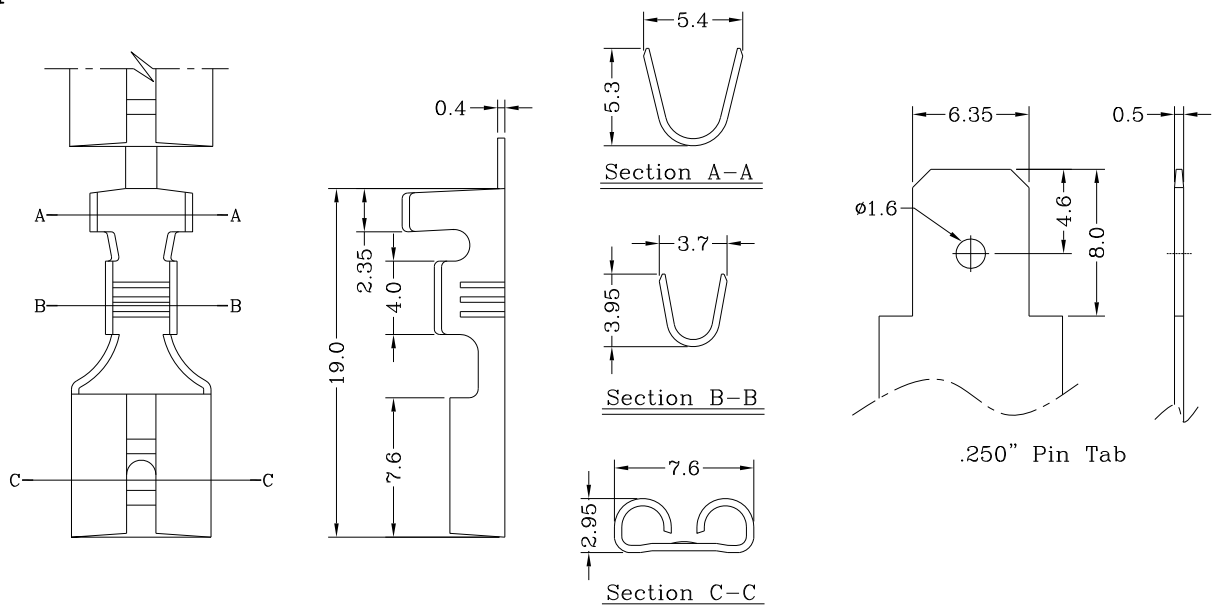
Specifications & Ordering Information:

| Part No | Wire Range | Insulation O.D. | Material | Finish | Qty/Reel |
|-------------|-------------|-----------------|----------|------------------|-----------|
| T2502T0B-2e | AWG #14~#18 | 3.60mm (max) | Brass | Tin-plated | 5,000 PCS |
| T2502T0B-5e | AWG #14~#18 | 3.60mm (max) | Brass | Matte Tin-plated | 5,000 PCS |

T2502 Series .250" Tab-On terminal

Features:

* Compatible with 6.35*0.5mm^t Pin-Tab



Specifications & Ordering Information:

| Part No | Wire Range | Insulation O.D. | Material | Finish | Qty/Reel |
|--------------|-------------|-----------------|----------|------------------|-----------|
| T2502T0B-A2e | AWG #14~#18 | 3.60mm (max) | Brass | Tin-plated | 5,000 PCS |
| T2502T0B-A5e | AWG #14~#18 | 3.60mm (max) | Brass | Matte Tin-plated | 5,000 PCS |